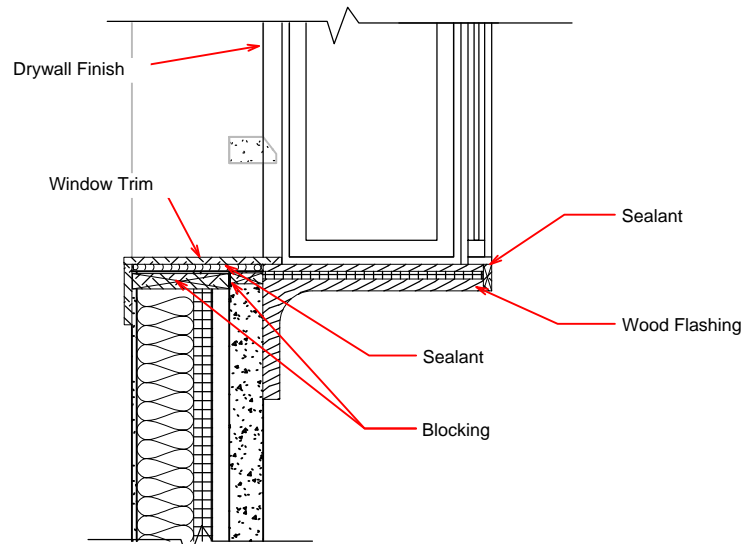
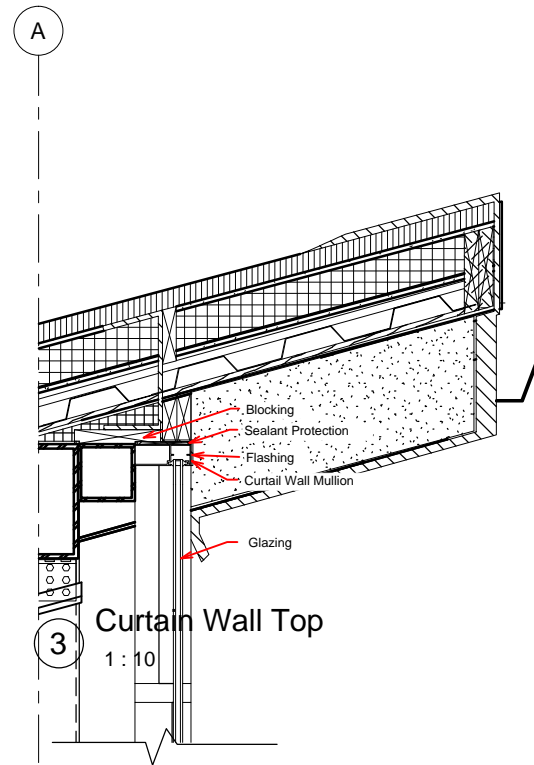


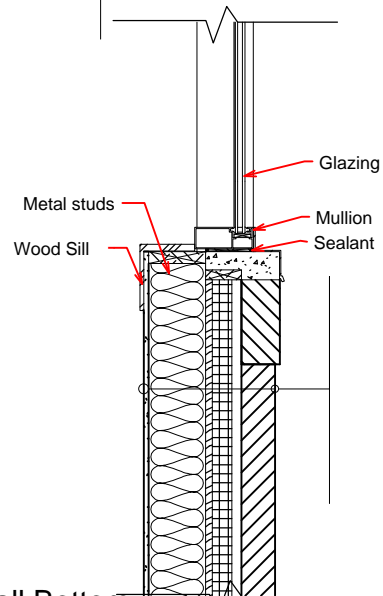
1 Bay Window Head
1 : 10



2 Bay Window Sill
1 : 10



3 Curtain Wall Top
1 : 10



4 Curtain Wall Bottom
1 : 10



The South Design

Consultant
Address
Address
Phone
Fax
e-mail

Consultant
Address
Address
Phone
Fax
e-mail

Consultant
Address
Address
Phone
Fax
e-mail

Consultant
Address
Address
Phone
Fax
e-mail

| No. | Description | Date |
|-----|-------------|------|
| | | |
| | | |
| | | |
| | | |
| | | |
| | | |
| | | |
| | | |
| | | |
| | | |

SHERIDAN COLLEGE

FINAL PROJECT

DETAILS

Project number Final Project

Date Aug/07/2012

Drawn by Author

Checked by Checker

DETAILS

Scale 1 : 10