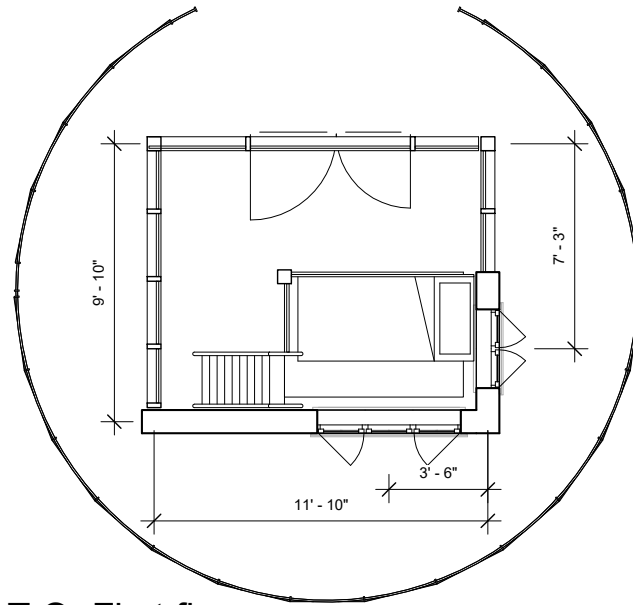


1 **Grade**  
1/4" = 1'-0"



2 **T.O. First floor**  
1/4" = 1'-0"



www.autodesk.com/revit

Jadwiga Gawron  
In A Nut Shell

No.	Description	Date

**Floorplans**

Project number	0001	<b>A102</b>
Date	Issue Date	
Drawn by	Jadwiga Gawron	
Checked by	Checker	
		Scale 1/4" = 1'-0"