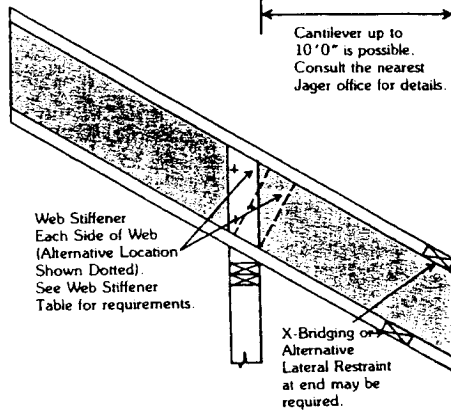
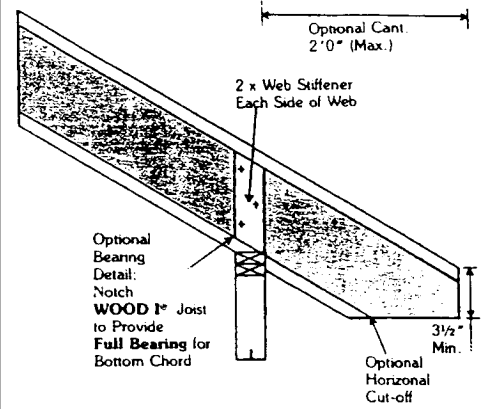


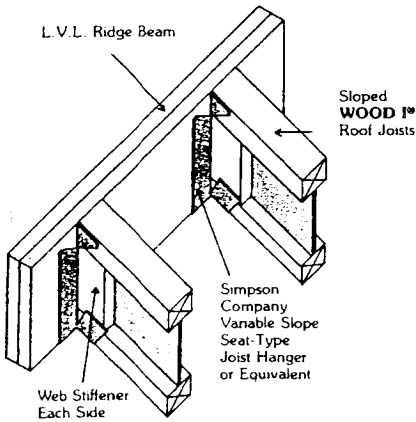
BOTTOM CHORD BEARING DETAILS



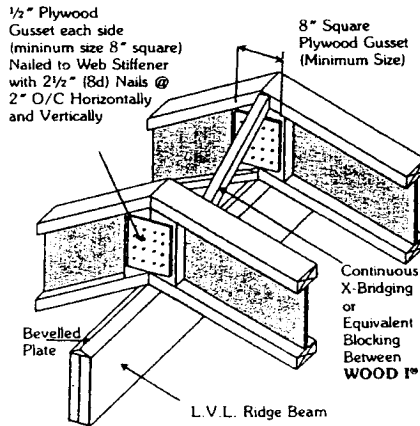
CANTILEVER ROOF JOIST



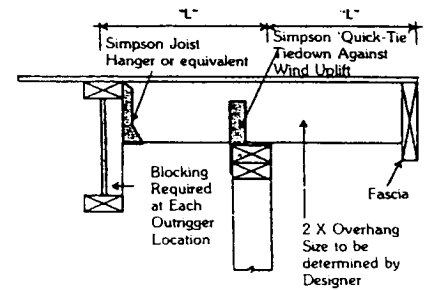
NOTCHED, BOTTOM CHORD, CANTILEVER



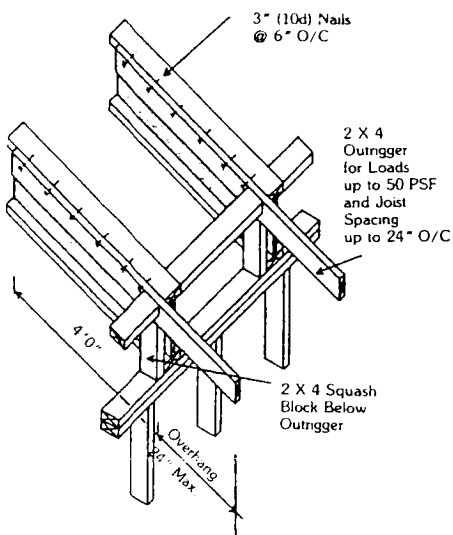
ROOF JOIST / RIDGE BEAM CONNECTION



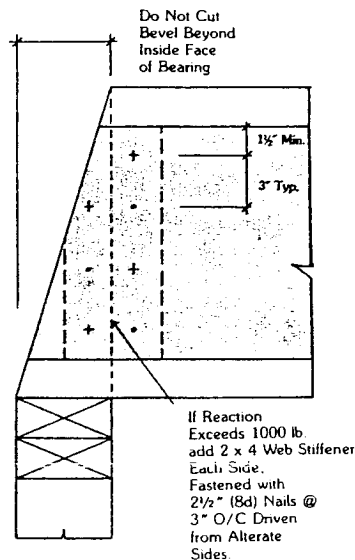
RIDGE DETAIL



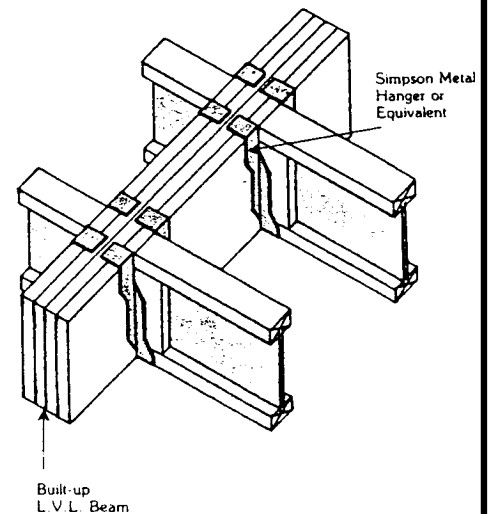
ROOF OVERHANG PERPENDICULAR TO SPAN



ROOF OVERHANG PARALLEL TO SPAN



BEVEL CUT



HANGER CONNECTION TO BUILT-UP BEAM