

Sun House

Drawing:
Site Plan

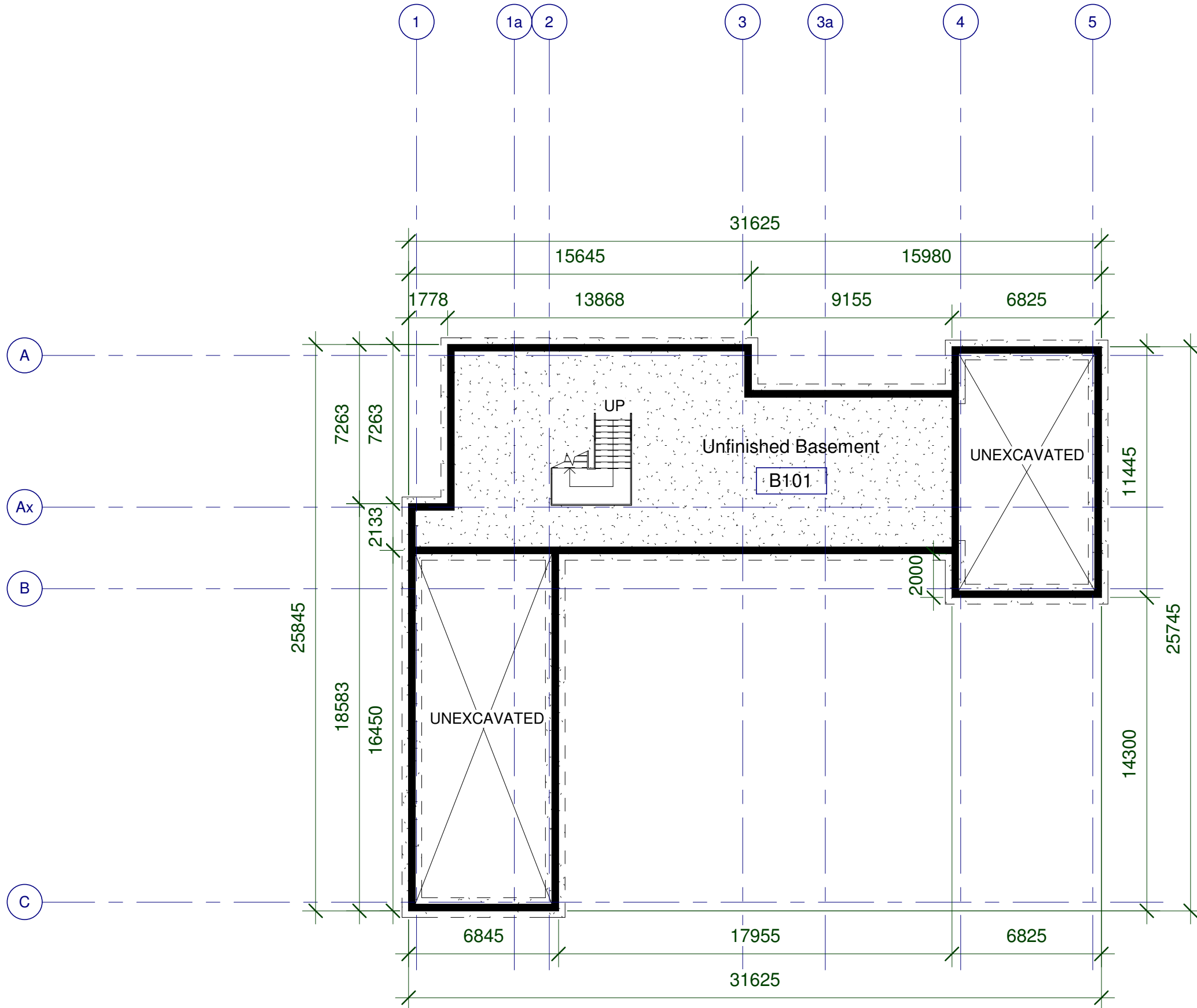
Drawn By:
Oscar C.

Project No.:
0001

Scale:
1 : 300

Date:
04/10/17

A100



Sun House

Drawing:
Foundation Plan

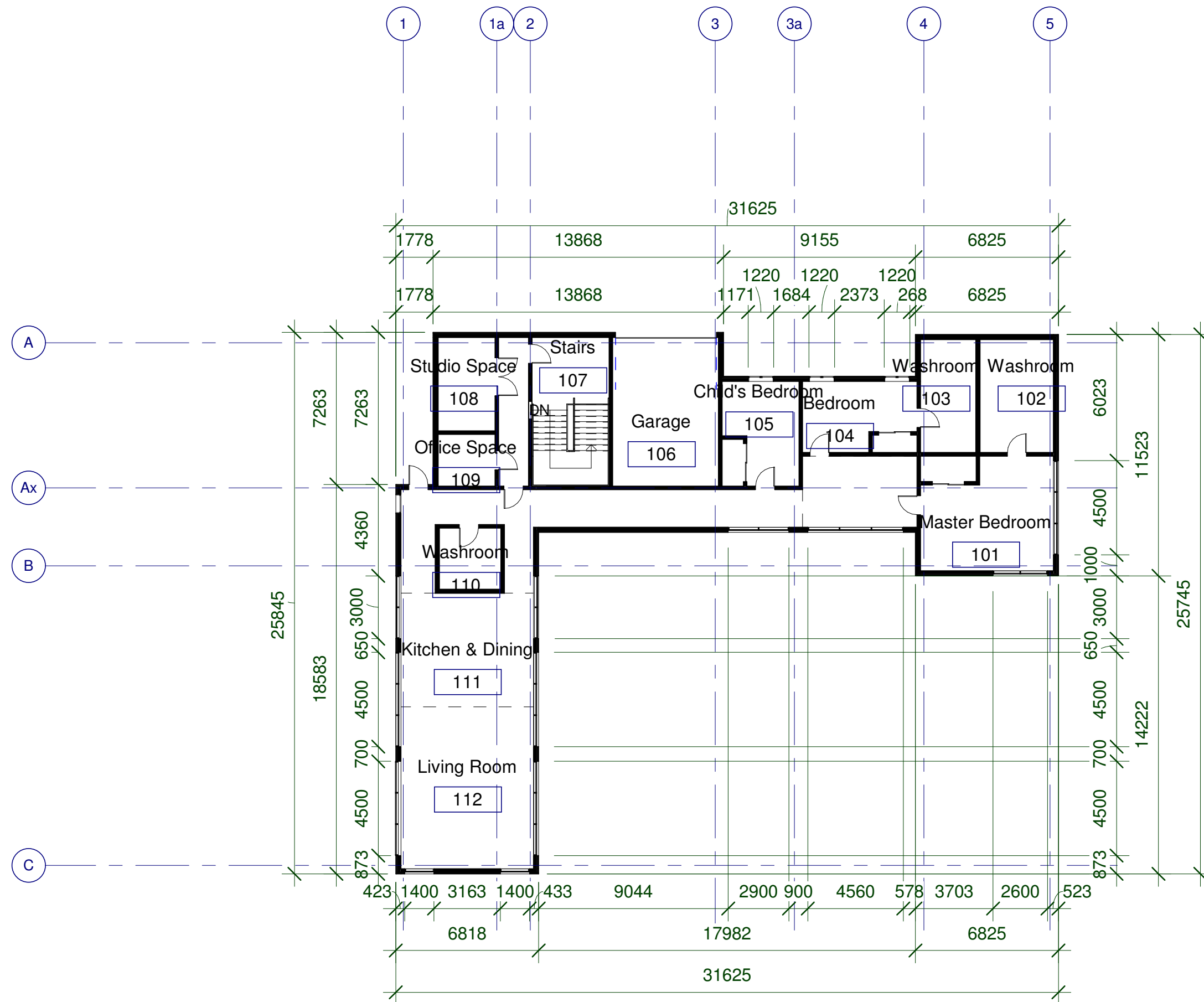
Drawn By:
Oscar C.

Project No.:
0001

Scale:
1 : 200

Date:
04/10/17

A101



Sun House

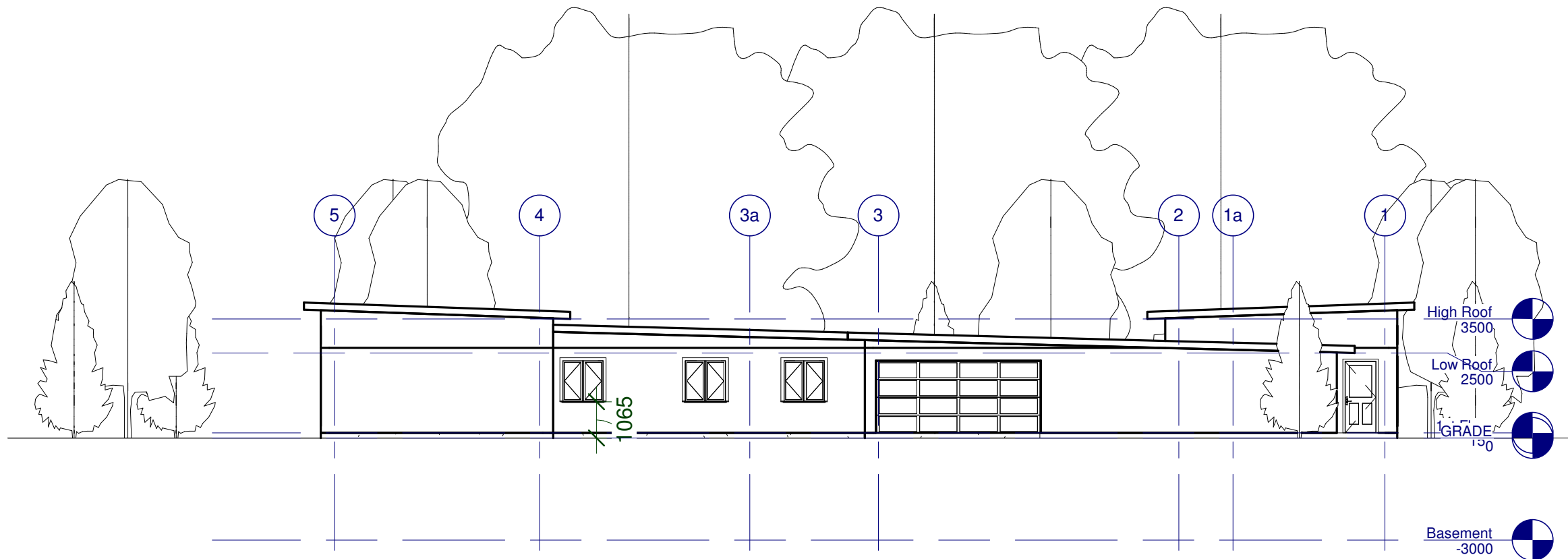
Drawing:
First Floorplan

Drawn By: Oscar C. Project No.: 0001

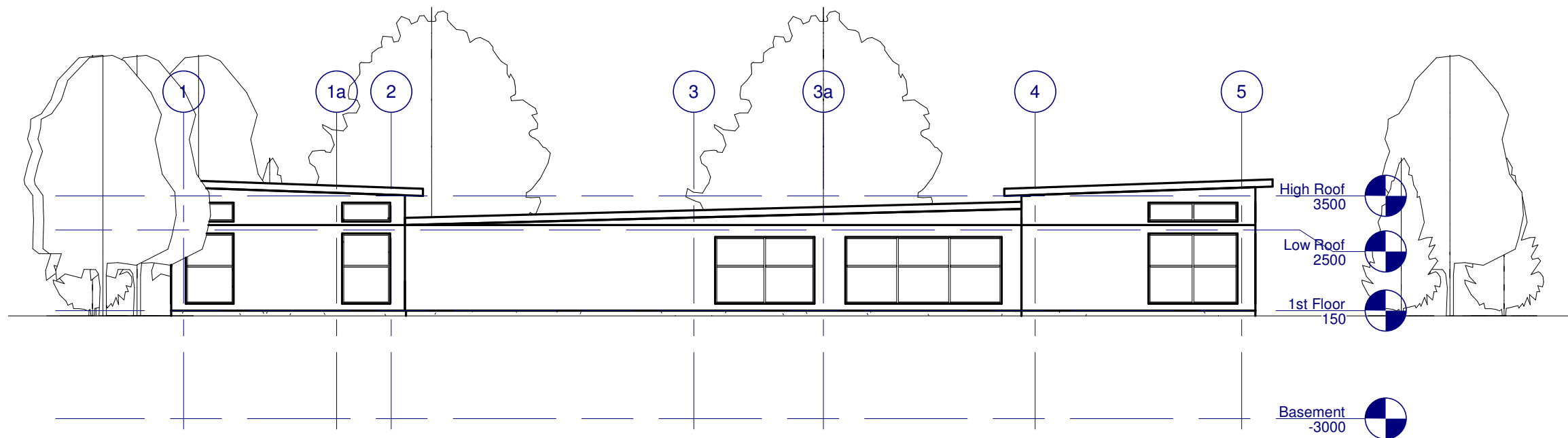
Scale: 1 : 200

Date: 04/10/17

A102



1 North Side
1 : 150



2 South Side
1 : 150

Sun House

Drawing:
North/South Elevation

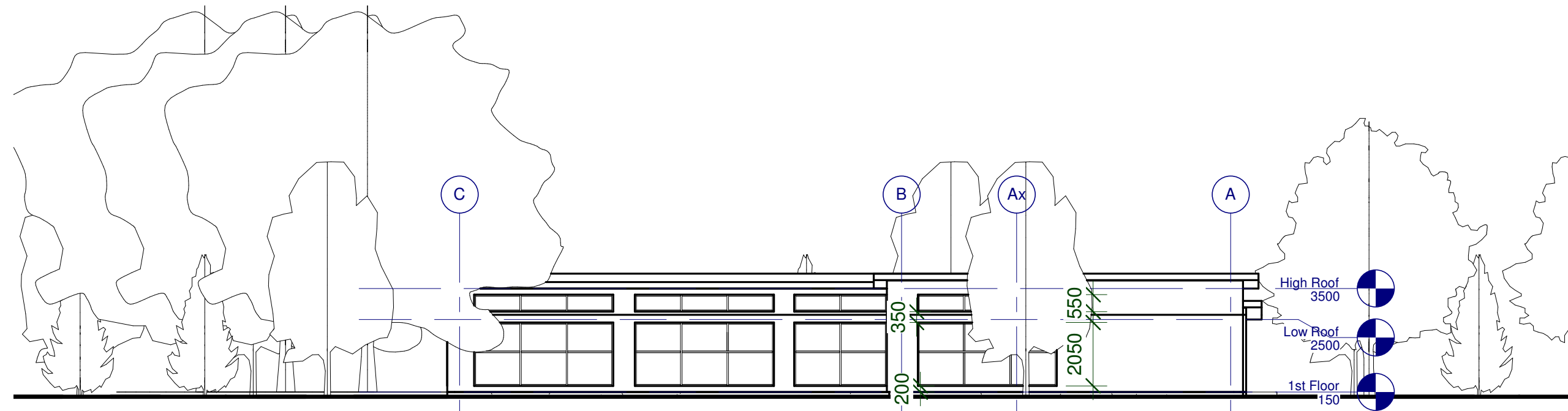
Drawn By:
Oscar C.

Project No.:
0001

Scale:
1 : 150

Date:
04/10/17

A201



1 East Side
1 : 150

High Roof 3500
Low Roof 2500
1st Floor 150
Basement -3000



2 West Side
1 : 150

High Roof 3500
Low Roof 2500
1st Floor 150
Basement -3000

Sun House

Drawing:
East/West Elevation

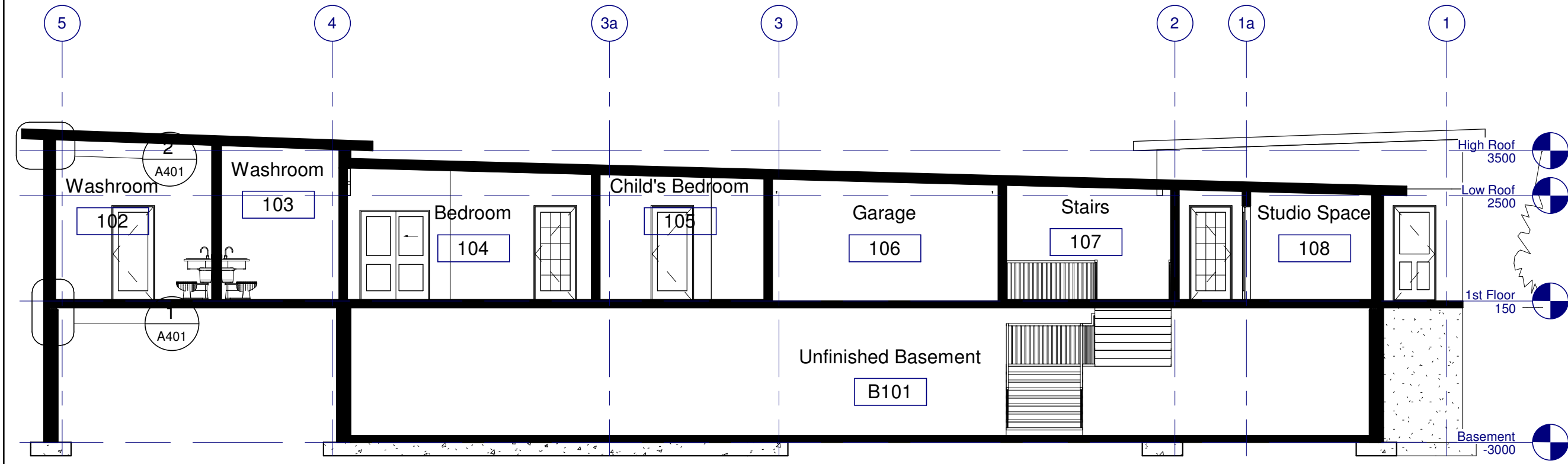
Drawn By:
Oscar C.

Project No.:
0001

Scale:
1 : 150

Date:
04/10/17

A202



Sun House

Drawing:
Building Section

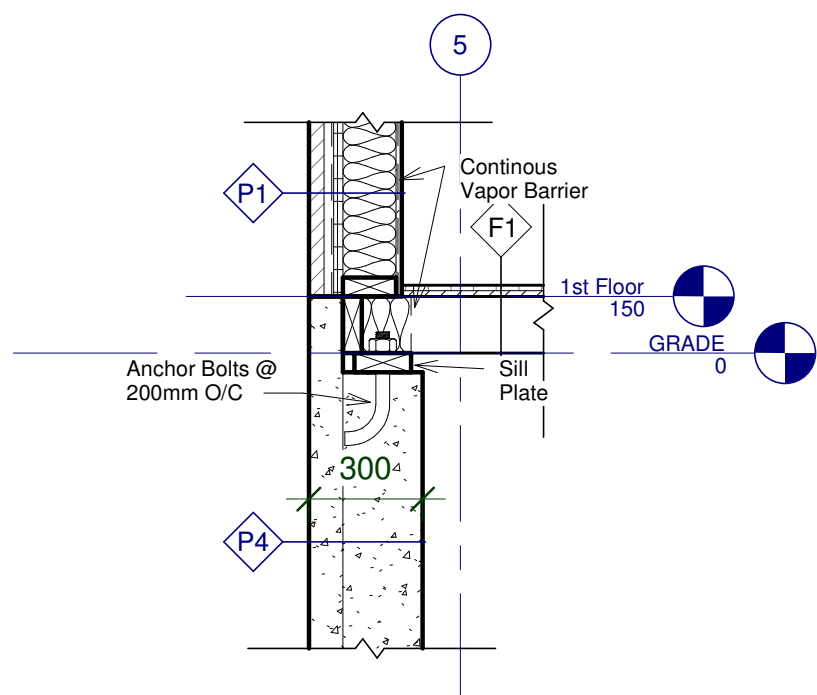
Drawn By:
Oscar C.

Project No.:
0001

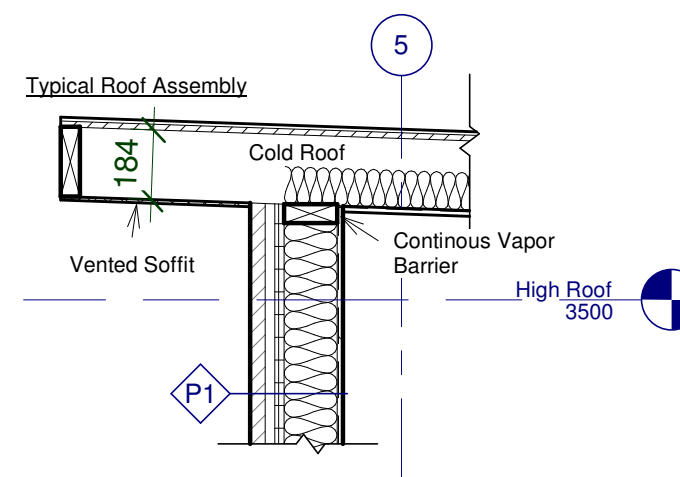
Scale:
1 : 100

A301

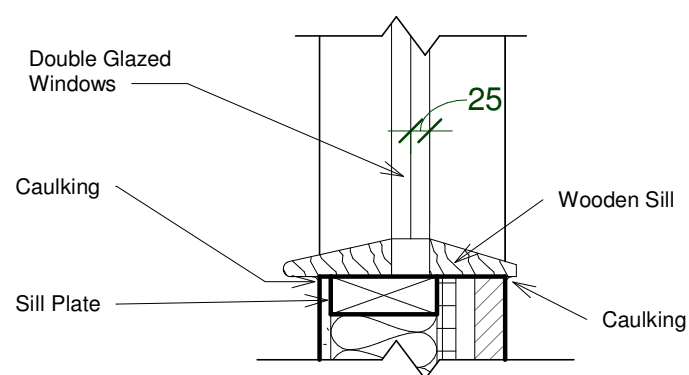
Date:
04/10/17



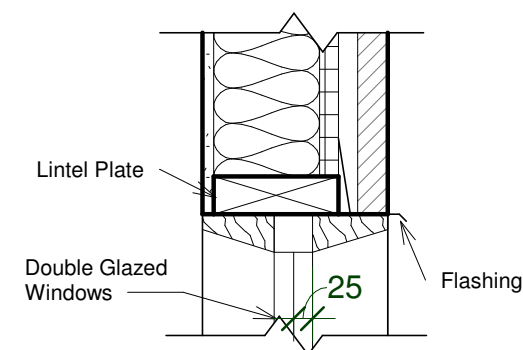
1 Exterior Wall @ Foundation
1 : 20



2 Exterior Wall @ Roof
1 : 20



3 Window Sill
1 : 10



4 Top of Window
1 : 10

Sun House

Drawing:

Details

Drawn By:

Oscar C.

Project No.:

0001

Scale:

As indicated

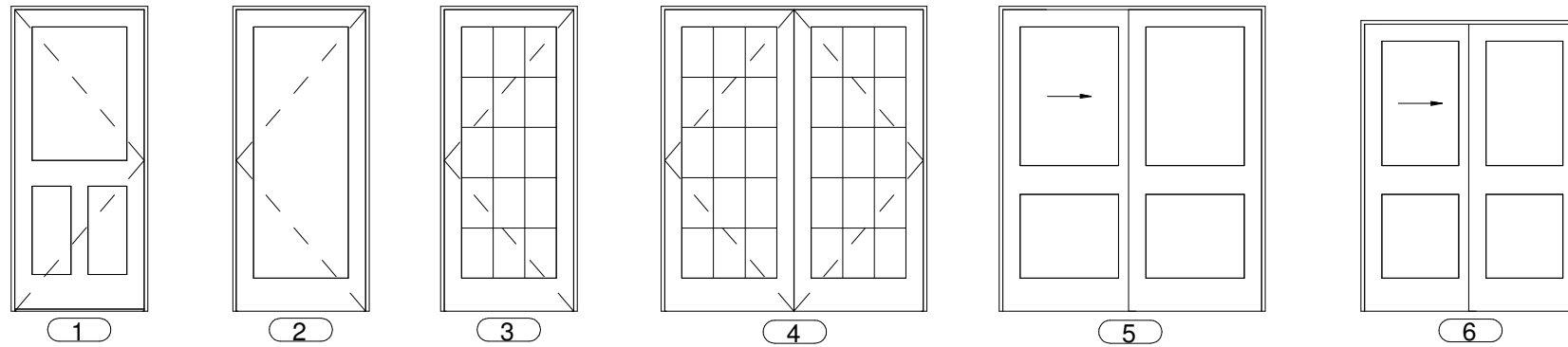
Date:

04/10/17

A401



Door Schedule							
Mark	Height	Width	Thickness	Count	Material	Level	Comments
1	2100	900	35	1	Solid Core Timber	1st Floor	White Tinted Glazed Exterior Door
2	2100	900	35	6	Douglas Fir	1st Floor	Washroom Door
3	2100	900	35	3		1st Floor	
4	2100	1800	35	1	Douglas Fir	1st Floor	Clear Glazed Door
5	2100	1800	35	1	Douglas Fir	1st Floor	Sliding Closet Door
6	2000	1500	35	2	Douglas Fir	1st Floor	Sliding Closet Door
7	2100	4800	40	1		1st Floor	



Window Schedule								
Type Mark	Family and Type	Sill Height	Height	Width	Count	Manufacturer	Description	Comments
1	M_Fixed: 0915 x 1830mm	305	1830	915	1			
2	M_Casement Dbl with Trim: 1220 x 1220mm	915	1220	1220	3			

Grand total: 4

Sun House

Drawing:

Door & Window Schedule

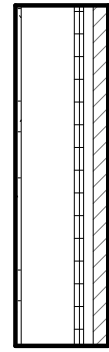
Drawn By:
Oscar C.

Project No.:
0001

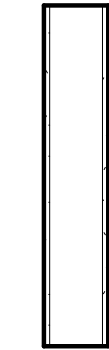
Scale:
1 : 50

Date:
04/10/17

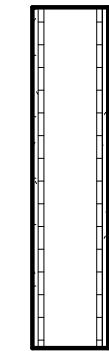
A501



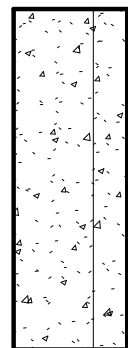
- P1: Exterior Wood Siding**
- 40 Wood Siding
 - 25 Air Space
 - 6Mil. Air Barrier
 - 25 Rigid Insul.
 - 140 Wood Studs
 - 6Mil. Vapor Barrier
 - 15 Gypsum Wall Board Finish



- P2: Typical Interior Wall**
- 15 Gypsum Wall Board Finish
 - 140 Wood Studs
 - 15 Gypsum Wall Board Finish



- P3: Plumbing Wall Assembly**
- 15 Gypsum Wall Board Finish
 - 15 Rigid Insul.
 - 6Mil. Vapor Barrier
 - 140 Wood Studs
 - 6Mil. Vapor Barrier
 - 15 Rigid Insul.
 - 15 Gypsum Wall Board Finish

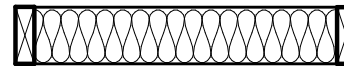


- P4: Foundation Wall**
- 300 Poured Concrete

- W1: Typical Curtain Wall**
- Double Glazed 25mm Window Panes
 - W/ 50 x 150 Mullions



- Basement Slab On Grade:**
- 150 Poured Concrete Slab



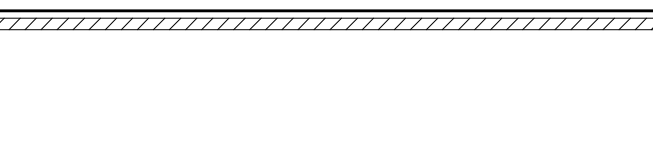
- Typical Floor Framing:**
- 150 Wood Floor Joists W/ Batt Insul.

Floor Finishes:

- 15 Plywood Sheathing
- 15 Mosaic Tile Finish

- 15 Plywood Sheathing
- 15 Hardwood Flooring Light Colour

- 15 Plywood Sheathing
- 15 Hardwood Flooring Dark Colour



- Typical Roof Assembly:**
- 10 Asphalt Shingles
 - 15 Plywood Sheathing
 - 184 Wood Rafters

Roof Legend

1 : 10

Floor Legend

1 : 20

Partition Legend

1 : 20

Sun House

Drawing:
Wall, Floor, & Roof Legend

Drawn By: Oscar C. Project No.: 0001

Scale: As indicated A502

Date: 04/10/17