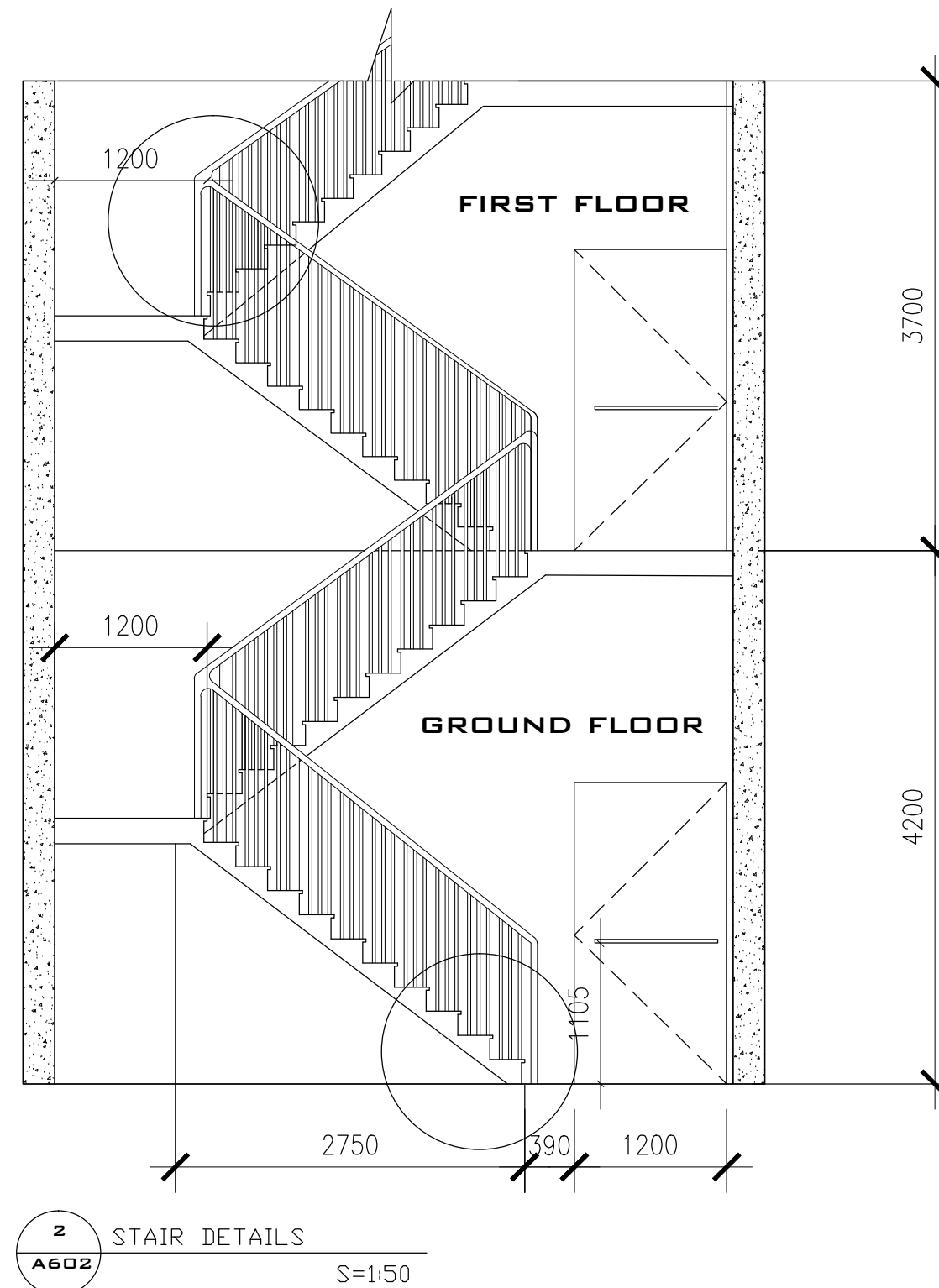


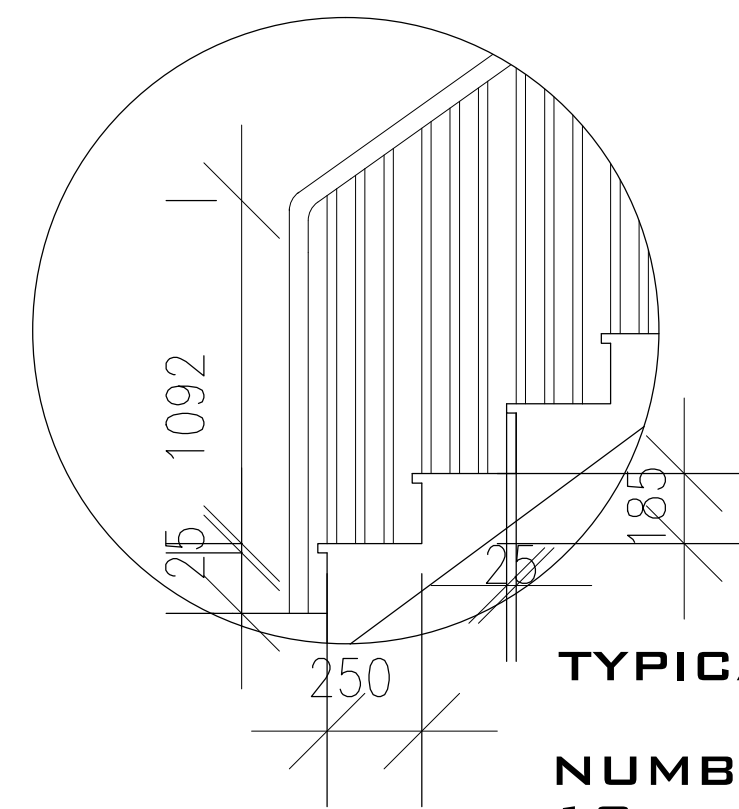
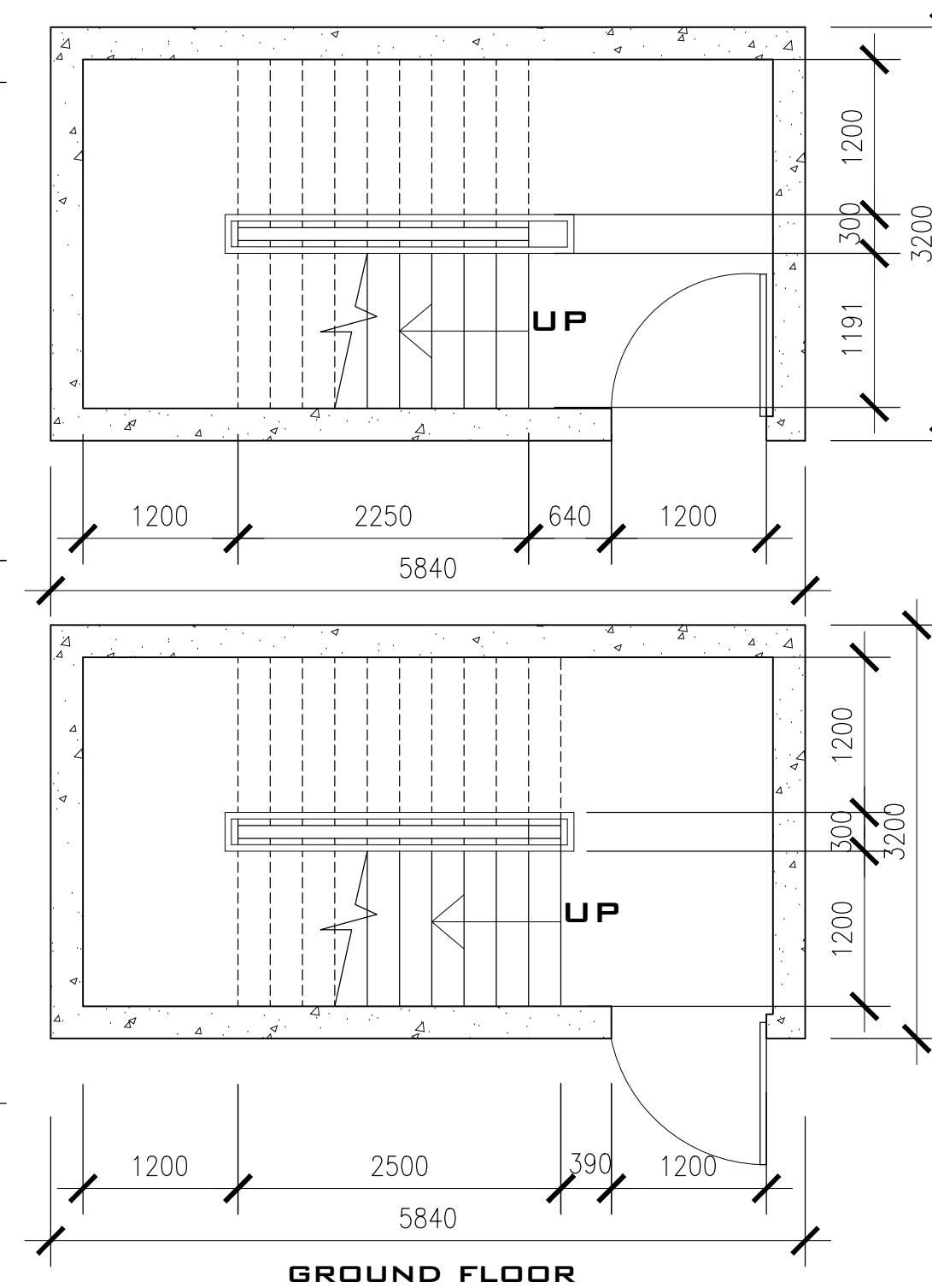
1 STAIR DETAILS
A602 S=1:50

TYPICAL STAIRS FROM SECOND FLOOR TO THIRD FLOOR

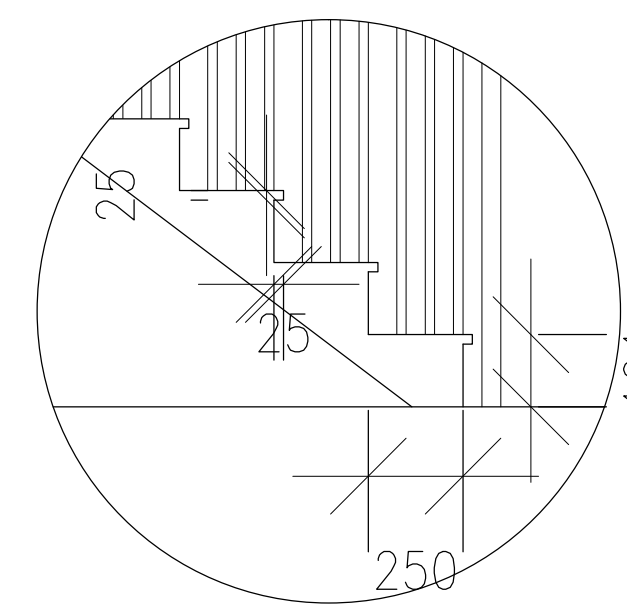


2 STAIR DETAILS
A602 S=1:50

TYPICAL STAIRS THROUGH FIRST FLOOR TO FIFTH FLOOR

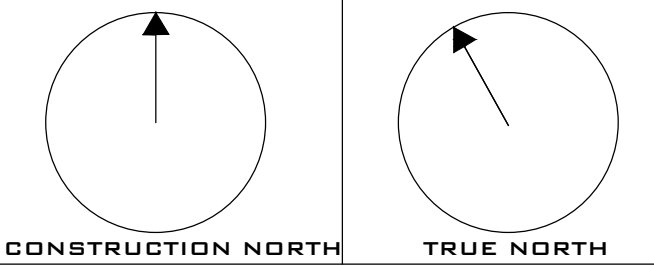


TYPICAL FLOOR
NUMBER OF TREADS 18
NUMBER OF RISER 20



GROUND FLOOR
NUMBER OF TREADS 20
NUMBER OF RISER 22

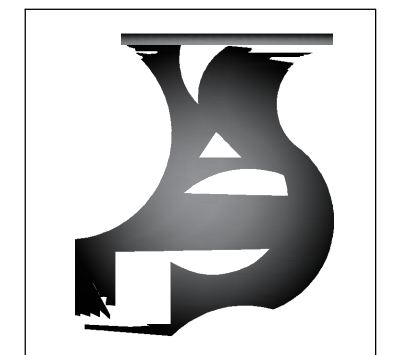
3 STAIR DETAILS
A602 S=1:20



Sheridan
Architecture

GENERAL NOTES:

1. VERIFY ALL DIMENSIONS PRIOR TO CONSTRUCTION.
2. DO NOT SCALE DRAWINGS. USE WRITTEN DIMENSIONS.
3. REPORT ALL DISCOVERIES OF ERRORS, OMISSIONS OR DISCREPANCIES TO THE ARCHITECT OR DESIGN ENGINEER AS APPLICABLE, MEANING THE INSTRUCTOR.
4. USE ONLY LATEST REVISED DRAWINGS OR THOSE THAT ARE ISSUED FOR THE COURSE.



INQ DESIGNS

SEAL:

PROJECT TITLE:

COMMERCIAL BUILDING

DRAWING TITLE:

STAIR DETAILS

CLIENT NAME:

DATE DRAWN:

09-12-2015

DRAWN BY :

GUKA
SONI
AJITHA

CHECKED BY:

SHEET NUMBER :

A602

SCALE:

AS SCALE